

AULS, AULE | MECHANICAL PIN LUG

Application:

Used for connection of copper cable, aluminium cable or aluminium alloy cable with copper end of transformer, switchgear and terminal box in medium voltage.

Material:

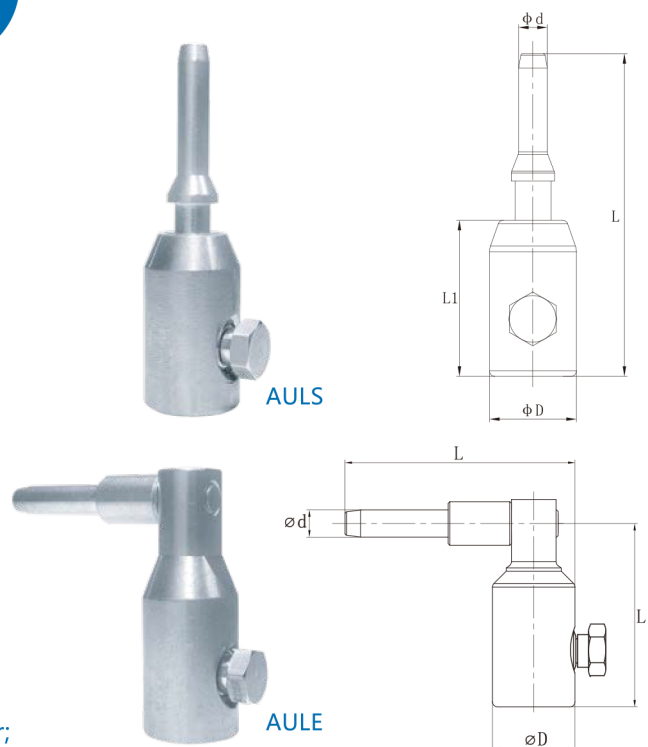
Body: high strength aluminum alloy
 Bolts: aluminum alloy
 Pin: Cu≥99.9%

Surface:

Tin plated

Feature:

- Cylinder copper pin
- AULS is suitable for straight-through separable connector;
- AULE is suitable for elbow separable connector.



Type	AL in mm ²			CU in mm ²		Dimensions				Number Of Bolts	Shear-off Torque (N.m)	Wrench Size	Pack (pcs)
	round stranded	sector stranded	round solid	round stranded	sector stranded	L(mm)	L1(mm)	D(mm)	d(mm)				
AULS25-95/1L	25-95	25-70	25-95	25-95	25-70	90	43.5	24	8	1	17	13	40x4
AULE25-95/1L	25-95	25-70	25-95	25-95	25-70	67	59	24	8	1	17	13	40x4

Note: Shear-off torque is only a reference during installation.