

# AUS, CABLE LUG

**Application:**

Used for connection of copper cable with copper end of electrical equipment in medium voltage.

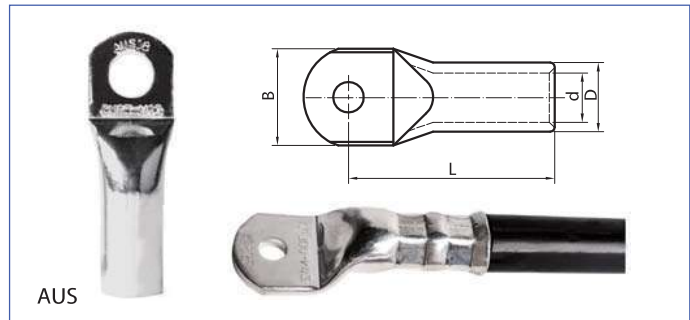
**Material:** Cu ≥ 99.9%

**Surface:** tin plated

**Feature:**

- Clear markings on barrel to indicate correct crimping location, together with DIN standard crimping die.

**Standard:** DIN 46235



Type	Conductor Size (mm <sup>2</sup> )	Dimensions				Stud Size	Pack(pcs)	Crimping Die
		L(mm)	d(mm)	D(mm)	B(mm)			
AUS6-5	6	24	3.8	5.5	8.5	M5	600x12	-
AUS6-6		24	3.8	5.5	9	M6		
AUS6-8		24	3.8	5.5	13	M8		
AUS10-5	10	27	4.5	6	9	M5	500x12	DT6
AUS10-6		27	4.5	6	9	M6		
AUS10-8		27	4.5	6	13	M8		
AUS16-6	16	36	5.5	8.5	13	M6	200x8	DT8
AUS16-8		36	5.5	8.5	13	M8		
AUS16-10		36	5.5	8.5	17	M10		
AUS16-12		36	5.5	8.5	18	M12		
AUS25-6	25	38	7	10	14	M6	200x8	DT10
AUS25-8		38	7	10	16	M8		
AUS25-10		38	7	10	17	M10		
AUS25-12		38	7	10	19	M12		
AUS35-6	35	42	8.2	12.5	17	M6	200x4	DT12
AUS35-8		42	8.2	12.5	17	M8		
AUS35-10		42	8.2	12.5	19	M10		
AUS35-12		42	8.2	12.5	21	M12		
AUS50-8	50	52	10	14.5	20	M8	125x4	DT14
AUS50-10		52	10	14.5	22	M10		
AUS50-12		52	10	14.5	24	M12		
AUS50-14		52	10	14.5	24	M14		
AUS50-16		52	10	14.5	28	M16		
AUS70-8	70	55	11.5	16.5	24	M8	100x4	DT16
AUS70-10		55	11.5	16.5	24	M10		
AUS70-12		55	11.5	16.5	24	M12		
AUS70-14		55	11.5	16.5	24	M14		
AUS70-16		55	11.5	16.5	30	M16		

Type	Conductor Size (mm <sup>2</sup> )	Dimensions				Stud Size	Pack(pcs)	Crimping Die
		L(mm)	d(mm)	D(mm)	B(mm)			
AUS95-8	95	65	13.5	19	28	M8	60x4	DT18
AUS95-10		65	13.5	19	28	M10		
AUS95-12		65	13.5	19	28	M12		
AUS95-14		65	13.5	19	28	M14		
AUS95-16		65	13.5	19	32	M16		
AUS120-8	120	70	15.5	21	31	M8	50x4	DT20
AUS120-10		70	15.5	21	32	M10		
AUS120-12		70	15.5	21	32	M12		
AUS120-14		70	15.5	21	32	M14		
AUS120-16		70	15.5	21	32	M16		
AUS150-10	150	78	17	23.5	34	M10	35x4	DT22
AUS150-12		78	17	23.5	34	M12		
AUS150-14		78	17	23.5	34	M14		
AUS150-16		78	17	23.5	34	M16		
AUS185-10	185	82	19	25.5	37	M10	30x4	DT25
AUS185-12		82	19	25.5	37	M12		
AUS185-14		82	19	25.5	37	M14		
AUS185-16		82	19	25.5	37	M16		
AUS185-20		82	19	25.5	40	M20		
AUS240-12	240	92	21.5	29	42	M12	20x4	DT28
AUS240-14		92	21.5	29	42	M14		
AUS240-16		92	21.5	29	42	M16		
AUS240-20		92	21.5	29	45	M20		
AUS300-12	300	100	24.5	32	48	M12	16x4	DT32
AUS300-14		100	24.5	32	48	M14		
AUS300-16		100	24.5	32	48	M16		
AUS400-16	400	115	27.5	38.5	55	M16	8x4	DT38
AUS400-20		115	27.5	38.5	55	M20		
AUS500-14	500	125	31	42	60	M14	7x4	DT42
AUS500-16		125	31	42	60	M16		
AUS630-16	630	135	34.5	44	64	M16	7x4	DT44
AUS630-20		135	34.5	44	64	M20		
AUS800-20	800	165	40	52	75	M20	7x4	-