

CAUBT, BIMETAL LUG

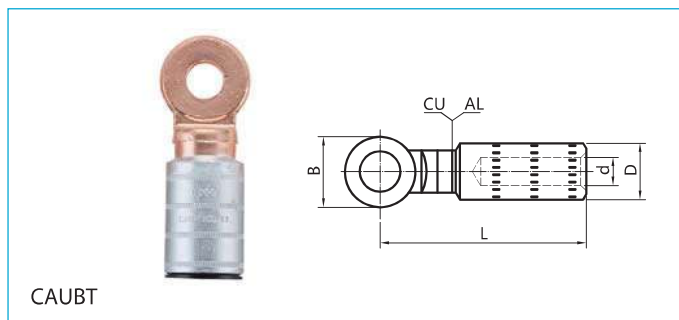
Application:

Used for transition connection of aluminium cable or aluminium alloy cable with copper end of electrical equipment in low voltage.

Material: Al ≥ 99.5%, Cu ≥ 99.9%

Feature:

- Oil blocking structure
 - Friction welded
 - Clear markings on barrel to indicate correct crimping location.
 - Prefilled with jointing compound.
- Standard: NF C 63-061



FRENCH NORM

Type	Conductor Size (mm ²)	Dimensions				Stud size	Pack(pcs)	Crimping Die
		L(mm)	d(mm)	D(mm)	B(mm)			Hex
CAUBT35-10	35	58.5	8	16	20	M10	300	-
CAUBT50-10	50	58.5	9	16	20	M10	300	-
CAUBT70-10	70	58.5	11	20	20	M10	240	E173
CAUBT70-12		58.5	11	20	20	M12	240	E173
CAUBT95-10	95	58.5	12.5	20	20	M10	240	E173
CAUBT120-10	120	58.5	13.7	20	20	M10	240	E173
CAUBT120-12		62	13.7	20	24	M12	240	E173
CAUBT150-10	150	68	15.5	27	24	M10	150	-
CAUBT150-12		68	15.5	27	24	M12	150	-
CAUBT185-10	185	68	17	27	24	M10	120	-
CAUBT185-12		74	17	27	30	M12	120	-
CAUBT240-10	240	74	19.5	27	30	M10	120	-
CAUBT240-12		74	19.5	27	30	M12	120	-
CAUBT300-10	300	75	22	30	30	M10	90	-
CAUBT300-14		76.5	22	30	35	M14	90	-