

# GTC, CABLE LINK

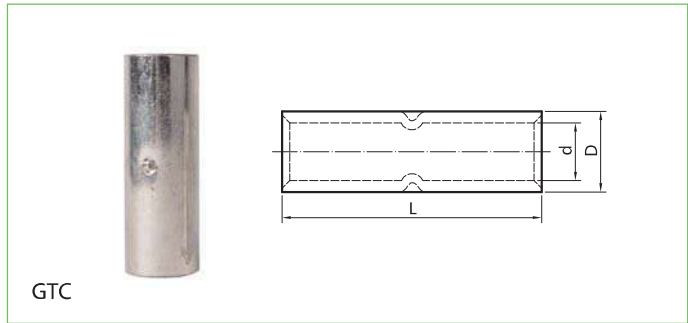
**Application:**

Used for intermediate connection of copper cables in medium voltage.

**Material:** Cu ≥ 99.9%

**Surface:** tin plated

**Standard:** AS/NZS 4325.1:1995, IEC 61238-1:2003



Type	Conductor Size (mm <sup>2</sup> )	Dimensions			Pack(pcs)
		L(mm)	d(mm)	D(mm)	
GTC-2.5	2.5	22	2.3	3.9	1300x12
GTC-4	4	22	3.0	4.7	900x12
GTC-6	6	22	3.8	5.5	800x12
GTC-10	10	22	4.7	7.1	400x12
GTC-16	16	44	5.5	7.9	600x4
GTC-25	25	48	7.1	9.5	400x4
GTC-35	35	48	8.2	11.2	300x4
GTC-50	50	48	9.5	12.8	120x8
GTC-70	70	52	11.2	14.3	100x8
GTC-95	95	54	13.4	17.4	60x8
GTC120	120	66	15.6	20.6	70x4
GTC-150	150	66	16.7	22.5	50x4
GTC-185	185	66	18.4	24.2	50x4
GTC-240	240	91	21.2	28.2	25x4
GTC-300	300	91	23.5	31.3	20x4
GTC-400	400	91	26.8	34.8	16x4
GTC-500	500	112	30	39	12x4
GTC-630	630	112	34	45	8x4