

GTL, BIMETAL CONNECTOR

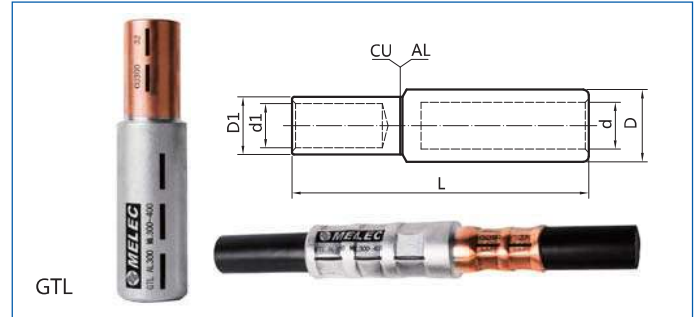
Application:

Used for intermediate transition connection of aluminium cable or aluminium alloy cable with copper cable in medium voltage.

Material: Al ≥ 99.5%, Cu ≥ 99.9%

Feature:

- Oil blocking structure
 - Friction welded
 - Clear markings on barrel to indicate correct crimping location.
 - Prefilled with jointing compound.
- Standard: IEC 61238-1:2003



Type	Conductor Size (mm ²)	Dimensions					Pack(pcs)	Crimping Die	
		L(mm)	d(mm)	D(mm)	d1(mm)	D1(mm)		Al	Cu
GTL-AL16/CU10	AL16/CU10	66.5	5.6	16	4.5	6	100x8	ML10~35	DT6
GTL-AL25/CU10	AL25/CU10	66.5	6.4	16	4.5	6	100x8	ML10~35	DT6
GTL-AL25/CU16	AL25/CU16	72.5	6.4	16	5.5	8.5	100x8	ML10~35	DT8
GTL-AL35/CU16	AL35/CU16	72.5	8.5	16	5.5	8.5	80x8	ML10~35	DT8
GTL-AL35/CU25	AL35/CU25	72.5	8.5	16	7	10	80x8	ML10~35	DT10
GTL-AL50/CU25	AL50/CU25	75	9.0	20	7	10	50x8	ML50~95	DT10
GTL-AL50/CU35	AL50/CU35	75	9.0	20	8.2	12.5	50x8	ML50~95	DT12
GTL-AL70/CU35	AL70/CU35	75	10.9	20	8.2	12.5	50x8	ML50~95	DT12
GTL-AL70/CU50	AL70/CU50	81	10.9	20	10	14.5	50x8	ML50~95	DT14
GTL-AL70/CU70	AL70/CU70	83	10.9	20	11.5	16.5	30x8	ML50~95	DT16
GTL-AL70/CU120	AL70/CU120	91	10.9	20	15.5	21	30x8	ML50~95	DT20
GTL-AL95/CU50	AL95/CU50	81	12.4	20	10	14.5	45x8	ML50~95	DT14
GTL-AL95/CU70	AL95/CU70	83	12.4	20	11.5	16.5	45x8	ML50~95	DT16
GTL-AL120/CU70	AL120/CU70	99	13.7	25	11.5	16.5	40x4	ML120~150	DT16
GTL-AL120/CU95	AL120/CU95	107	13.7	25	13.5	19	40x4	ML120~150	DT18
GTL-AL150/CU95	AL150/CU95	107	15.5	25	13.5	19	40x4	ML120~150	DT18
GTL-AL150/CU120	AL150/CU120	107	15.5	25	15.5	21	40x4	ML120~150	DT20
GTL-AL150/CU150	AL150/CU150	112	15.5	25	17	23.5	40x4	ML120~150	DT22

Type	Conductor Size (mm ²)	Dimensions					Pack(pcs)	Crimping Die	
		L(mm)	d(mm)	D(mm)	d1(mm)	D1(mm)		Al	Cu
GTL-AL185/CU95	AL185/CU95	107	17	32	13.5	19	25x4	ML185~240	DT18
GTL-AL185/CU120	AL185/CU120	107	17	32	15.5	21	25x4	ML185~240	DT20
GTL-AL185/CU150	AL185/CU150	112	17	32	17	23.5	25x4	ML185~240	DT22
GTL-AL240/CU95	AL240/CU95	107	19.5	32	13.5	16.5	25x4	ML185~240	DT18
GTL-AL240/CU120	AL240/CU120	107	19.5	32	15.5	19	25x4	ML185~240	DT20
GTL-AL240/CU150	AL240/CU150	112	19.5	32	17	23.5	25x4	ML185~240	DT22
GTL-AL240/CU185	AL240/CU185	115	19.5	32	19	25.5	25x4	ML185~240	DT25
GTL-AL240/CU240	AL240/CU240	116	19.5	32	21.5	29	25x4	ML185~240	DT28
GTL-AL300/CU185	AL300/CU185	152.5	23.2	40	19	25.5	12x4	ML300~400	DT25
GTL-AL300/CU240	AL300/CU240	153.5	23.2	40	21.5	29	12x4	ML300~400	DT28
GTL-AL300/CU300	AL300/CU300	159.5	23.2	40	24.5	32	12x4	ML300~400	DT32
GTL-AL400/CU240	AL400/CU240	153.5	26	40	21.5	29	12x4	ML300~400	DT28
GTL-AL400/CU300	AL400/CU300	159.5	26	40	24.5	32	12x4	ML300~400	DT32