

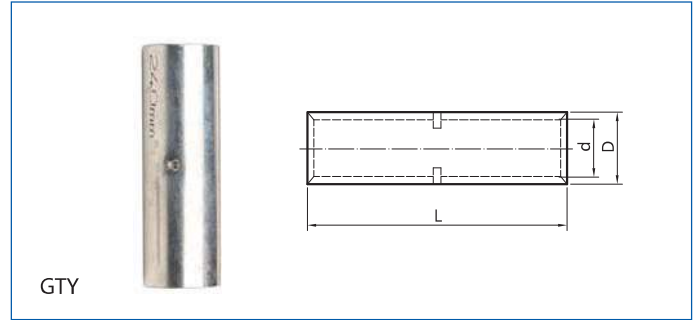
GTY, CABLE LINK

Application:

Used for intermediate connection of copper cables in low voltage.

Material: Cu ≥ 99.9%

Surface: tin plated



Type	Conductor Size (mm ²)	Dimensions			Pack(pcs)	Crimping Die
		L(mm)	d(mm)	D(mm)		
GTY-2-1.5	1.5	20	1.9	3.1	2000x12	-
GTY-2-2.5	2.5	20	2.8	4	2000x12	-
GTY-2-4	4	20	3.2	4.5	1500x12	-
GTY-2-6	6	25	3.7	5.1	1000x12	-
GTY-2-10	10	30	4.5	6.1	600x12	-
GTY-2-16	16	35	5.7	7.3	400x12	MT16
GTY-2-25	25	40	7.2	9	300x8	MT25
GTY-2-35	35	45	8.5	10.8	200x8	MT35
GTY-2-50	50	50	9.8	12.5	150x8	MT50
GTY-2-70	70	55	11.5	14.5	100x8	MT70
GTY-2-95	95	60	13.7	17	70x8	MT95
GTY-2-120	120	65	15	19	50x8	MT120
GTY-2-150	150	70	16.7	21	70x4	MT150
GTY-2-185	185	75	19.2	23.5	60x4	MT185
GTY-2-240	240	80	21	26	45x4	MT240
GTY-2-300	300	85	24	30	30x4	MT300
GTY-2-400	400	90	27	34	20x4	MT400
GTY-2-500	500	100	30	38	16x4	MT500
GTY-2-630	630	110	35	44	10x4	MT630
GTY-2-800	800	150	39	50	6x4	MT800
GTY-2-1000	1000	170	44	56	4x4	MT1000