

# JGC, CABLE LUG

**Application:**

Used for connection of copper cable with copper end of electrical equipment in medium voltage.

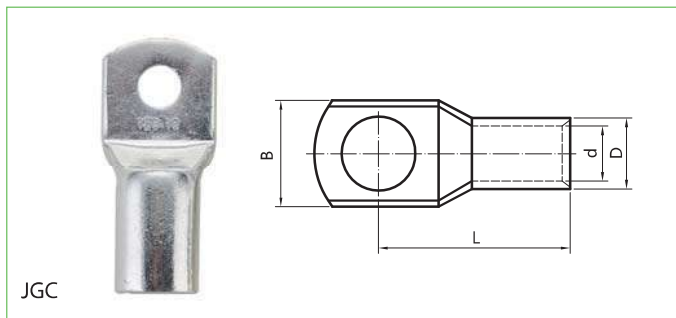
**Material:** Cu ≥ 99.9%

**Surface:** tin plated

**Feature:**

There is an arc-shaped viewing window on bevel for checking the location of conductor.

**Standard:** AS/NZS 4325.1:1995, IEC 61238-1:2003



Type	Conductor Size (mm <sup>2</sup> )	Dimensions				Stud Size	Pack(pcs)
		L(mm)	d(mm)	D(mm)	B(mm)		
JGC2.5-4	2.5	13	2.3	3.9	8	M4	1500x12
JGC2.5-5		15	2.3	3.9	10	M5	
JGC2.5-6		15	2.3	3.9	10	M6	
JGC4-5	4	17	3	4.7	10	M5	1000x12
JGC4-6		17	3	4.7	10	M6	
JGC6-5	6	18	3.8	5.5	10	M5	800x12
JGC6-6		21	3.8	5.5	12	M6	
JGC6-8		21	3.8	5.5	12	M8	
JGC10-6	10	21	4.7	7.1	12	M6	300x12
JGC10-8		22	4.7	7.1	14	M8	
JGC10-10		23	4.7	7.1	16	M10	
JGC10-12		27	4.7	7.1	18	M12	
JGC16-6	16	31	5.5	7.9	11	M6	700x4
JGC16-8		32	5.5	7.9	14	M8	
JGC16-10		33	5.5	7.9	16	M10	
JGC16-12		36	5.5	7.9	18	M12	
JGC25-6	25	34	7.1	9.5	14	M6	500x4
JGC25-8		34	7.1	9.5	14	M8	
JGC25-10		35	7.1	9.5	16	M10	
JGC25-12		38	7.1	9.5	18	M12	
JGC35-6	35	36	8.2	11.2	16	M6	300x4
JGC35-8		36	8.2	11.2	16	M8	
JGC35-10		37	8.2	11.2	18	M10	
JGC35-12		39	8.2	11.2	20	M12	
JGC50-6	50	39	9.5	12.8	18	M6	250x4
JGC50-8		39	9.5	12.8	18	M8	
JGC50-10		39	9.5	12.8	18	M10	
JGC50-12		41	9.5	12.8	21	M12	
JGC50-16		43	9.5	12.8	25	M16	
JGC70-8	70	43	11.2	14.3	21	M8	200x4
JGC70-10		43	11.2	14.3	21	M10	
JGC70-12		43	11.2	14.3	21	M12	

Type	Conductor Size (mm <sup>2</sup> )	Dimensions				Stud Size	Pack(pcs)
		L(mm)	d(mm)	D(mm)	B(mm)		
JGC95-8	95	48	13.4	17.4	25	M8	100x4
JGC95-10		48	13.4	17.4	25	M10	
JGC95-12		48	13.4	17.4	25	M12	
JGC120-8	120	52	15.6	20.6	29	M8	70x4
JGC120-10		52	15.6	20.6	29	M10	
JGC120-12		52	15.6	20.6	29	M12	
JGC150-8	150	59	16.7	22.5	32	M8	50x4
JGC150-10		59	16.7	22.5	32	M10	
JGC150-12		64	16.7	22.5	32	M12	
JGC150-16		64	16.7	22.5	32	M16	
JGC185-8	185	62	18.4	24.2	35	M8	40x4
JGC185-10		62	18.4	24.2	35	M10	
JGC185-12		67	18.4	24.2	35	M12	
JGC185-16		67	18.4	24.2	35	M16	
JGC240	240	-	21.2	28.2	40	-	25x4
JGC240-10		72	21.2	28.2	40	M10	
JGC240-12		72	21.2	28.2	40	M12	
JGC240-16		72	21.2	28.2	40	M16	
JGC300	300	-	23.5	31.3	45	-	20x4
JGC300-10		79	23.5	31.3	45	M10	
JGC300-12		79	23.5	31.3	45	M12	
JGC300-16		79	23.5	31.3	45	M16	
JGC400	400	-	26.8	34.8	50	-	15x4
JGC400-10		89	26.8	34.8	50	M10	
JGC400-12		89	26.8	34.8	50	M12	
JGC400-16		89	26.8	34.8	50	M16	
JGC500	500	-	30	38.6	56	-	12x4
JGC500-10		97	30	38.6	56	M10	
JGC500-12		97	30	38.6	56	M12	
JGC500-16		97	30	38.6	56	M16	
JGC630	630	-	34	45	65	-	6x4
JGC630-10		106	34	45	65	M10	
JGC630-12		106	34	45	65	M12	
JGC630-16		106	34	45	65	M16	