

JM(JGY), CABLE LUG

Application:

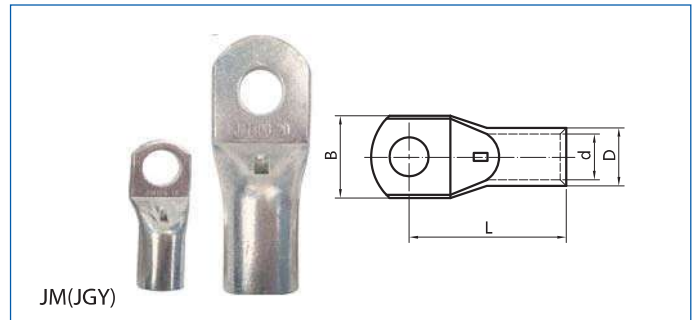
Used for connection of copper cable with copper end of electrical equipment in low voltage.

Material: Cu ≥ 99.9%

Surface: tin plated

Feature:

- There is a rectangular viewing window on bevel for checking the location of conductor.



MELEC NORM

05

Make Cable CONNECTIONS More Reliable

Type	Conductor Size (mm ²)	Dimensions				Stud Size	Pack(pcs)	Crimping Die
		L(mm)	d(mm)	D(mm)	B(mm)			
JM(JGY)6-4	6	20.5	3.7	5.1	9.2	M4	1000x12	-
JM(JGY)6-5		20.5	3.7	5.1	9.2	M5		
JM(JGY)6-6		20	3.7	5.1	9.8	M6		
JM(JGY)6-8		19	3.7	5.3	12	M8		
JM(JGY)6-10		20.5	3.7	5.3	12.8	M10		
JM(JGY)10-5	10	21	4.5	6.1	10.3	M5	800x12	-
JM(JGY)10-6		21	4.5	6.1	10.3	M6		
JM(JGY)10-8		20	4.5	6.1	12	M8		
JM(JGY)10-10		21.5	4.5	6.3	13.2	M10		
JM(JGY)16-5	16	23	5.7	7.3	11	M5	500x12	MT16
JM(JGY)16-6		23	5.7	7.3	11	M6		
JM(JGY)16-8		24	5.7	7.3	12.5	M8		
JM(JGY)16-10		24	5.7	7.5	14	M10		
JM(JGY)25-6	25	28.5	7.2	9	13.1	M6	300x12	MT25
JM(JGY)25-8		28.5	7.2	9	13.1	M8		
JM(JGY)25-10		27.5	7.2	9	14.5	M10		
JM(JGY)25-12		28.5	7.2	9	16.5	M12		
JM(JGY)35-6	35	30	8.5	10.8	15.8	M6	600x4	MT35
JM(JGY)35-8		30	8.5	10.8	15.8	M8		
JM(JGY)35-10		31	8.5	10.8	15.8	M10		
JM(JGY)35-12		30	8.5	10.8	17.4	M12		
JM(JGY)50-6	50	34.5	9.8	12.5	18.1	M6	350x4	MT50
JM(JGY)50-8		36	9.8	12.5	18.1	M8		
JM(JGY)50-10		36	9.8	12.5	18.1	M10		
JM(JGY)50-12		36	9.8	12.5	18.3	M12		
JM(JGY)50-14		35	9.8	12.5	18.3	M14		
JM(JGY)70-8	70	39.5	11.5	14.5	21	M8	250x4	MT70
JM(JGY)70-10		41	11.5	14.5	21	M10		
JM(JGY)70-12		41	11.5	14.5	21	M12		
JM(JGY)70-16		41	11.5	14.5	23	M16		

Type	Conductor Size (mm ²)	Dimensions				Stud Size	Pack(pcs)	Crimping Die
		L(mm)	d(mm)	D(mm)	B(mm)			
JM(JGY)95-8	95	46.5	13.7	17	24.8	M8	150x4	MT95
JM(JGY)95-10		45.5	13.7	17	24.8	M10		
JM(JGY)95-12		45.5	13.7	17	24.8	M12		
JM(JGY)95-14		47	13.7	17	24.8	M14		
JM(JGY)95-16		47	13.7	17	26	M16		
JM(JGY)120-8	120	50	15	19	27.5	M8	100x4	MT120
JM(JGY)120-10		50	15	19	27.5	M10		
JM(JGY)120-12		51.5	15	19	27.5	M12		
JM(JGY)120-14		51.5	15	19	27.5	M14		
JM(JGY)120-16		53	15	19	27.5	M16		
JM(JGY)120-20		54.5	15	19	32	M20		
JM(JGY)150-8	150	58	16.7	21	30	M8	80x4	MT150
JM(JGY)150-10		58	16.7	21	30	M10		
JM(JGY)150-12		58	16.7	21	30	M12		
JM(JGY)150-14		58	16.7	21	30	M14		
JM(JGY)150-16		58	16.7	21	30	M16		
JM(JGY)185-10	185	64	19.2	23.5	34	M10	60x4	MT185
JM(JGY)185-12		63.5	19.2	23.5	34	M12		
JM(JGY)185-14		63.5	19.2	23.5	34	M14		
JM(JGY)185-16		63	19.2	23.5	34	M16		
JM(JGY)240-10	240	74	21	26	37.4	M10	40x4	MT240
JM(JGY)240-12		74	21	26	37.4	M12		
JM(JGY)240-14		74	21	26	37.4	M14		
JM(JGY)240-16		74	21	26	37.4	M16		
JM(JGY)240-20		76	21	26	37.4	M20		
JM(JGY)300-12	300	80.5	24	30	43.2	M12	25x4	MT300
JM(JGY)300-14		82.5	24	30	43.2	M14		
JM(JGY)300-16		80.5	24	30	43.2	M16		
JM(JGY)300-20		83.5	24	30	43.2	M20		
JM(JGY)400-12	400	89.5	27	34	49	M12	18x4	MT400
JM(JGY)400-16		89.5	27	34	49	M16		
JM(JGY)400-20		91.5	27	34	49	M20		
JM(JGY)500-16	500	100.5	30	38	55	M16	12x4	MT500
JM(JGY)500-20		100.5	30	38	55	M20		
JM(JGY)630-16	630	114	35	44	64	M16	8x4	MT630
JM(JGY)630-20		114	35	44	64	M20		
JM(JGY)630-22		114	35	44	64	M22		