

Heat Shrinkable Busbar Insulation Tubing

MBT/MBTH

Application

- Used in medium voltage substations up to 36kV to reduce electric clearance and increase insulation between busbars.

Color Standard: Red

Operating Temperature

- -40°C to +100°C

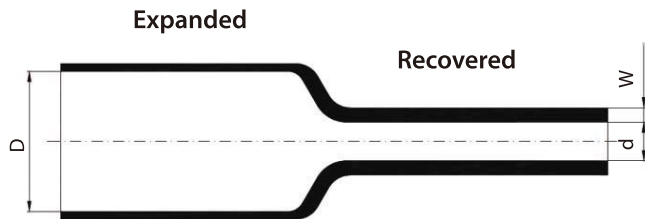


Feature

- Anti-tracking
- Excellent corrosion resistance
- UV resistance and weathering resistance
- Superior electrical and mechanical properties

Type Test

- IEC 60684

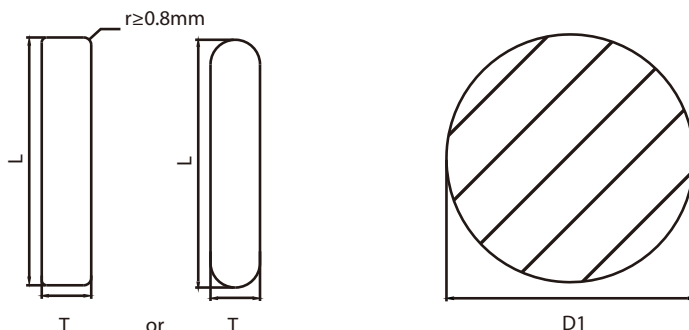


Type	Expanded(mm)			Package	Type	Recovered(mm)			Package
	D(min)	d(max)	W(nom)			D(min)	d(max)	W(nom)	
MBT-15/6	15	6	2.00	1m or 25m/roll	MBTH-25/10	25	10	4.0	1m or 25m/roll
MBT-30/12	30	12	2.30	1m or 25m/roll		40	16	4.0	1m or 25m/roll
MBT-50/20	50	20	2.50	1m or 25m/roll		65	25	4.0	1m or 20m/roll
MBT-70/25	70	25	3.00	1m or 20m/roll		100	40	4.0	1m or 20m/roll
MBT-75/30	75	30	2.50	1m or 20m/roll					
MBT-90/30	90	30	3.00	1m or 20m/roll					
MBT-100/40	100	40	2.50	1m or 15m/roll					
MBT-120/50	120	50	3.00	1m or 15m/roll					
MBT-170/60	170	60	3.00	1m					

Performance

Property	Test Method	Requirements
Longitudinal change	IEC 60684-2	+5% to -10%
Tensile strength	IEC 60684-2	> 8MPa
Elongation at break	IEC 60684-2	> 200%
Bending at low temperature	IEC 60684-2	-40°C No cracking
Volume resistivity	IEC 60684-2	> 10 ¹² Ω.m
Dielectric strength	IEC 60684-2	> 12KV/mm
Resistance to tracking	IEC 60684-2	Pass
Heat aging		
Tensile strength	IEC 60684-2	> 5MPa
Elongation at break	IEC 60684-2	> 200%
Flame propagation		
Burning time	IEC 60684-2	≤60s
Burning length	IEC 60684-2	≤100mm
Heat shock		
Tensile strength	IEC 60684-2	> 5MPa
Elongation at break	IEC 60684-2	> 200%
Resistance to selected fluids		
Tensile strength	IEC 60684-2	> 5MPa
Elongation at break	IEC 60684-2	> 200%
Resistance to weathering		
Tensile strength	IEC 60684-2	> 8MPa
Elongation at break	IEC 60684-2	> 200%
Resistance to tracking	IEC 60684-2	Class 2A 2.5KV/30min

Application Range



Type	Rectangular Busbar		Round Busbar	
	L+T(mm)		D1(mm)	
	min	max	min	max
MBT-15/6	11	19	7	12
MBT-30/12	22	38	14	24
MBT-50/20	35	63	22	40
MBT-70/25	44	88	28	56
MBT-75/30	52	94	33	60
MBT-90/30	52	113	33	72
MBT-100/40	71	126	45	80
MBT-120/50	86	151	55	96
MBT-170/60	104	214	66	136

Type	Rectangular Busbar		Round Busbar	
	L+T(mm)		D1(mm)	
	min	max	min	max
MBTH-25/10	19	31	12	20
MBTH-40/16	28	50	18	32
MBTH-65/25	44	82	28	52
MBTH-100/40	71	126	45	85

Creepage Distance

Rated voltage	MBT		MBTH		Air Clearance (mm)
	ph-ph spacing(mm)	ph-gnd spacing(mm)	ph-ph spacing(mm)	ph-gnd spacing(mm)	
12	65	75	35	45	120
17.5	85	105	55	65	160
24	115	150	70	100	220
36	200	285	140	190	320