

# Heat Shrinkable Right Angle Boot

# MRAB

**Application**

- Used for medium voltage up to 35kV.
- Protection against flashover and surge.

**Color Standard:** Red

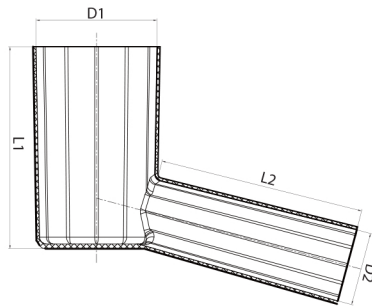
**Operating Temperature**  
 • -40°C to +110°C



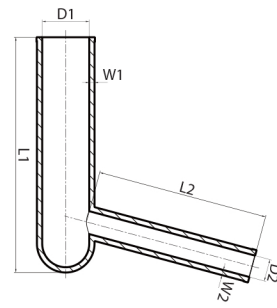
**Feature**

- Anti-tracking
- Excellent insulation performance
- UV resistance and weather resistance

Expanded



Recovered



Type	Expanded(mm)				Recovered(mm)					
	D1(min)	D2(min)	L1(min)	L2(min)	D1(max)	D2(max)	L1(min)	L2(min)	W1(min)	W2(min)
MRAB-80/36-50/18	80	50	100	115	36	18	110	80	3.8	3.8

**Performance**

Property	Test Method	Requirements
Tensile strength	IEC 60684-2	> 10MPa
Elongation at break	IEC 60684-2	> 200%
Bending at low temperature	IEC 60684-2	No cracking
Volume resistivity	IEC 60684-2	> 10 <sup>12</sup> Ω.m
Dielectric strength	IEC 60684-2	> 12KV/mm
<b>Heat aging</b>		
Tensile strength	IEC 60684-2	> 8MPa
Elongation at break	IEC 60684-2	> 200%
<b>Heat shock</b>		
Tensile strength	IEC 60684-2	> 8MPa
Elongation at break	IEC 60684-2	> 200%