

Heat Shrinkable End Cap

MRSM

Application

- Used for sealing ends of power cables, lines and pipes.

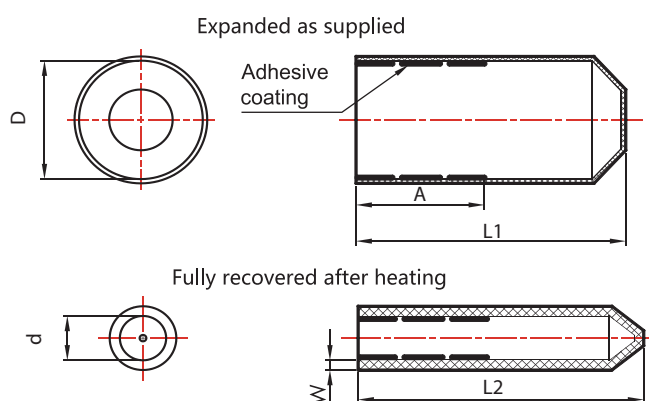
Color Standard: Black

Operating Temperature
• -40°C to +110°C



Feature

- Hot melting adhesive providing better waterproof
- Coating type: spiral coating
- Protect against humidity
- UV resistance
- Excellent corrosion resistance
- Superior mechanical strength



Type	Application Diameter Range(mm)	Expanded(mm)			Recovered(mm)		
		D(min)	L1(min)	A(±10%)	d(max)	L2(min)	W(min)
MRSM15/5	6-12	15	40	20	5	40	2.1
MRSM22/8	9-18	22	54	30	8	50	2.5
MRSM35/15	16-28	35	82	35	15	70	2.8
MRSM55/25	28-44	55	108	50	25	85	3.2
MRSM75/35	40-67	75	120	55	35	95	3.2
MRSM130/60	65-120	130	150	70	60	105	3.4

Performance

Property	Test Method	Requirements
Tensile strength	IEC 60684-2	> 11MPa
Elongation at break	IEC 60684-2	> 400%
Bending at low temperature	IEC 60684-2	No cracking
Volume resistivity	IEC 60684-2	> 10 ¹² Ω.m
Dielectric strength	IEC 60243	> 15KV/mm
Heat aging		
Elongation at break	IEC 60684-2	> 300%