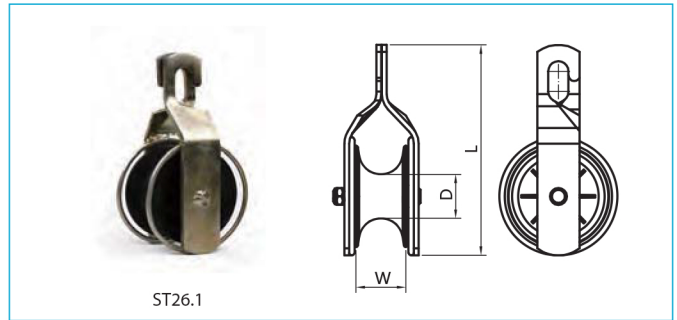


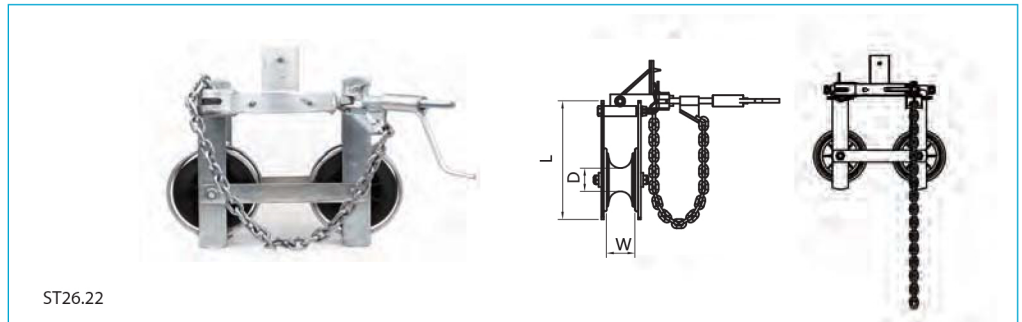
ST, CABLE PULLER

ST cable pullers are designed for pulling in aerial cables.

- ST26.1 is used for straight lines and small angles up to 30°.
- ST26.22 with two pulleys is used for straight lines and larger angles up to 90°.



ST26.1



ST26.22

| Type | Failure Load (kN) | Dimensions(mm) | | | Pack (pcs) |
|---------|-------------------|----------------|----|----|------------|
| | | L | D | W | |
| ST26.1 | 8 | 239 | 50 | 52 | 8 |
| ST26.22 | 12 | 255 | 50 | 52 | 1x2 |