

TM, CABLE LUG

Application:

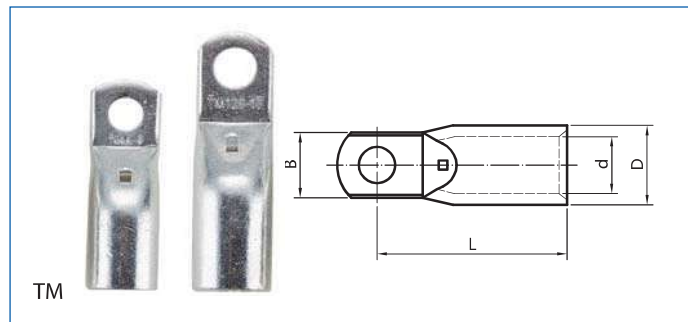
Used for connection of copper cable with copper end of electrical equipment in low voltage.

Material: Cu ≥ 99.9%

Surface: tin plated

Feature:

- There is a rectangular viewing window on bevel for checking the location of conductor.
- Narrow palm design, especially suitable for equipment with narrow contact area or space such as connections of MCCB and motors.



Type	Conductor Size (mm ²)	Dimensions				Stud Size	Pack(pcs)	Crimping Die
		L(mm)	d(mm)	D(mm)	B(mm)			
TM10-5	10	21	4.3	6.3	9	M5	3000x2	MTA10
TM16-5	16	25	5.6	7.8	9	M5	2000x2	MTA16
TM25-5	25	29	7	9.3	9	M5	800x2	MTA25
TM35-6	35	33.5	8.4	10.8	11.5	M6	700x2	MTA35
TM50-6	50	37.5	9.5	12.5	12.8	M6	500x2	MTA50
TM50-8		37.5	9.5	12.5	12.8	M8		
TM50-10		37.5	9.5	12.5	12.8	M10		
TM70-6	70	41	11.2	14.8	15.8	M6	400x2	MTA70
TM70-8		41	11.2	14.8	15.8	M8		
TM70-10		41	11.2	14.8	15.8	M10		
TM95-8	95	46	13.5	17.9	17.8	M8	200x2	MTA95
TM95-10		46	13.5	17.9	17.8	M10		
TM120-8	120	59	15.6	20	19	M8	150x2	MTA120
TM120-10		58.5	15.6	20	19	M10		
TM150-8	150	65.5	16.7	21.8	24	M8	130x2	MTA150
TM150-10		65.5	16.7	21.8	24	M10		
TM185-10	185	69.5	19	24.2	24.5	M10	100x2	MTA185
TM185-12		69.5	19	24.2	24.5	M12		